

Bi-color 5mm Round LED

Die, Package

Item	Value	
Emitted Color	Green	GaP
Emitted Color	Orange	GaAsP/GaP
Resin Color	Milky White Difused	

Absolute Maximum Ratings

Item	Symbols	Value		Unit	Conditions
		Green	Orange		
Power Dissipation	Pd	75	75	mW	
Forward Current	I _F	30	30	mA	
Pulse Forward Current	I _{FRM}	100	100	mA	tw ≤ 1ms, Duty ≤ 1/20
Reverse Voltage	V _R	4	4	V	
Operating Temperature	Topr	-30~+85		°C	
Storage Temperature	Tstg	-30~+100		°C	
Derating	∠I _F	0.33	0.33	mA/°C	

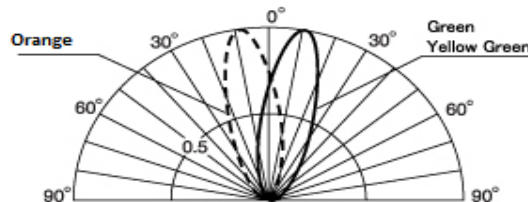
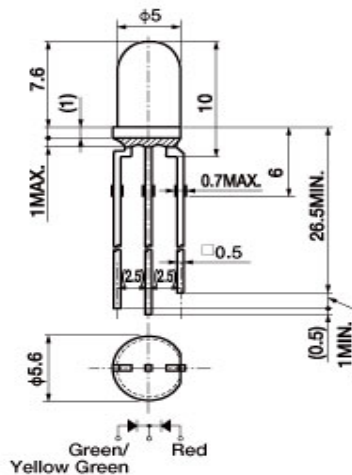
Electro-optical Characteristics

Item	Symbols	Symbols	Value		Unit	Conditions
			Green	Orange		
Luminous Intensity	I _v	MIN.	120	80	mcd	I _F =20ma
		TYP.	200	160	mcd	I _F =20ma
Dominant Wavelength	λd	TYP.	558	605	nm	I _F =20ma
Peak Wavelength	λp	TYP.	555	603	nm	I _F =20ma
Spectral Line Half Width	∠λ	TYP.	30	4	nm	I _F =20ma
Half Intensity Angle	2θ _{1/2}	TYP.	31(θ _x) 31(θ _y)	30(θ _x) 30(θ _y)	deg.	I _F =20ma
Forward Voltage	V _F	TYP.	2.1	2.1	V	
Reverse Current	I _R	MAX.	100	100	μa	V _R =4V

Package Dimensions

Unit: mm

Half Intensity Angle



*The typical distribution example of each package is shown above.